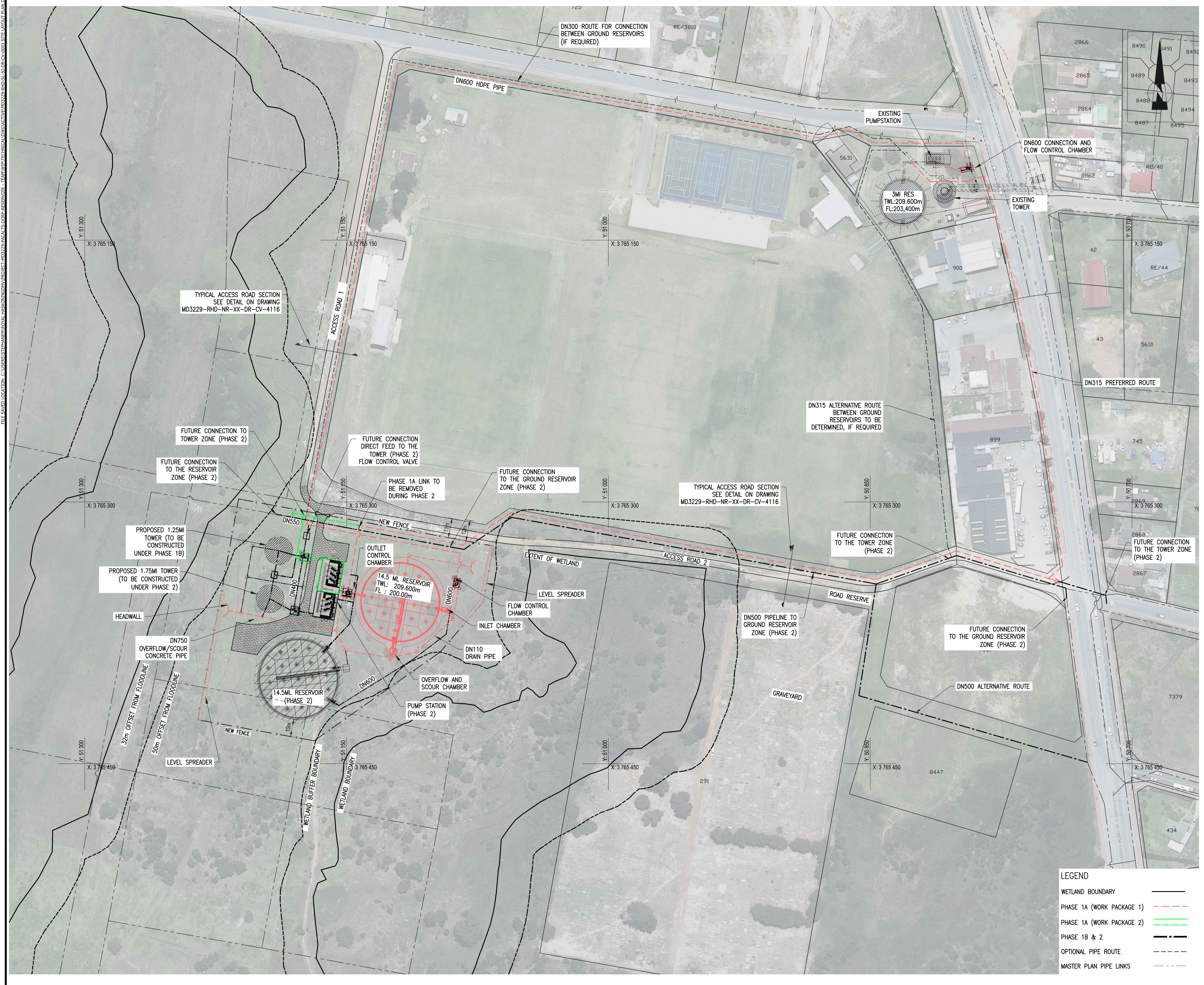


FILE SAVED LOCATION: C:\USERS\STEPHAN\ROYAL HASKONINGDHV\PROJECTS\MD3229-PACALTSDORP WEST\14.5ML RESERVOIR - TENDER\TECHNICAL\DWG\MDS229-SL-SI-DR-CV-0003 SITE LAYOUT PLAN.rvt



COPYRIGHT RESERVED
THE DUPLICATION OF THIS DRAWING IS STRICTLY PROHIBITED

REF. DRAWING NR	REFERENCE DRAWING DESCRIPTION

CLIENT



GEORGE MUNICIPALITY



PO Box 434
GEORGE
6530

Tel: (044) 802 0600
Fax: (044) 802 0660
Web: www.rhdhv.co.za

PROJECT

**PACALTSORP WEST
14.5 ML RESERVOIR**

DRAWING DESCRIPTION

SITE LAYOUT PLAN

BUILDING DESCRIPTION

14.5ML RESERVOIR

TENDER DRAWING

DESIGNED	SIGNATURE AND DATE
S. MUJINGA	
DRAWN	SIGNATURE AND DATE
L. MULLER	
DRAWING CHECKED	SIGNATURE AND DATE
S. MUJINGA	
DESIGN CHECKED	SIGNATURE AND DATE
K. TURNER	
APPROVED BY	SIGNATURE AND DATE
J. VAN EEDEN	

NO.	DATE	REVISION DESCRIPTION	DRAWN BY	CHECKED BY
P01	07/2023	ISSUED FOR TENDER	TM	SM

PROJECT No. **MD3229** CONTRACT No. #####

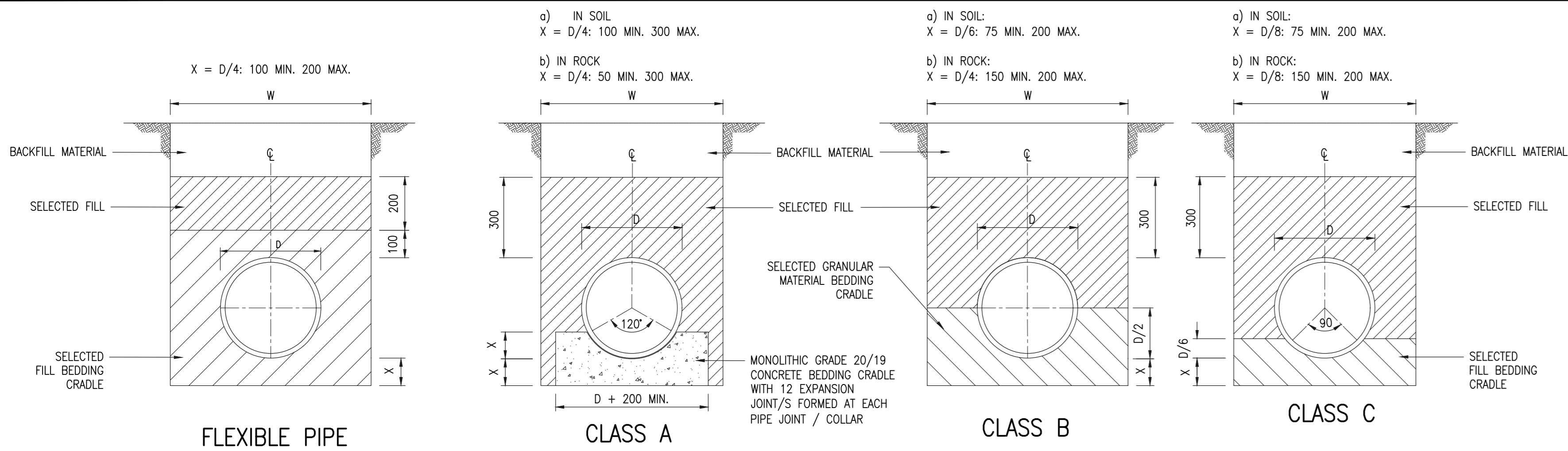
SHEET NUMBER	DISCIPLINE	PAPER SIZE	SCALE
SHEET 01 OF 01	CIVIL	A1	1 : 1000

DRAWING No. **MD3229 - RHD - SL - SI - DR - CV - 0003** REV. **P01**

PROJECT No. | ORIG. | V/S | L/L | TYPE | ROLE | DWG No.

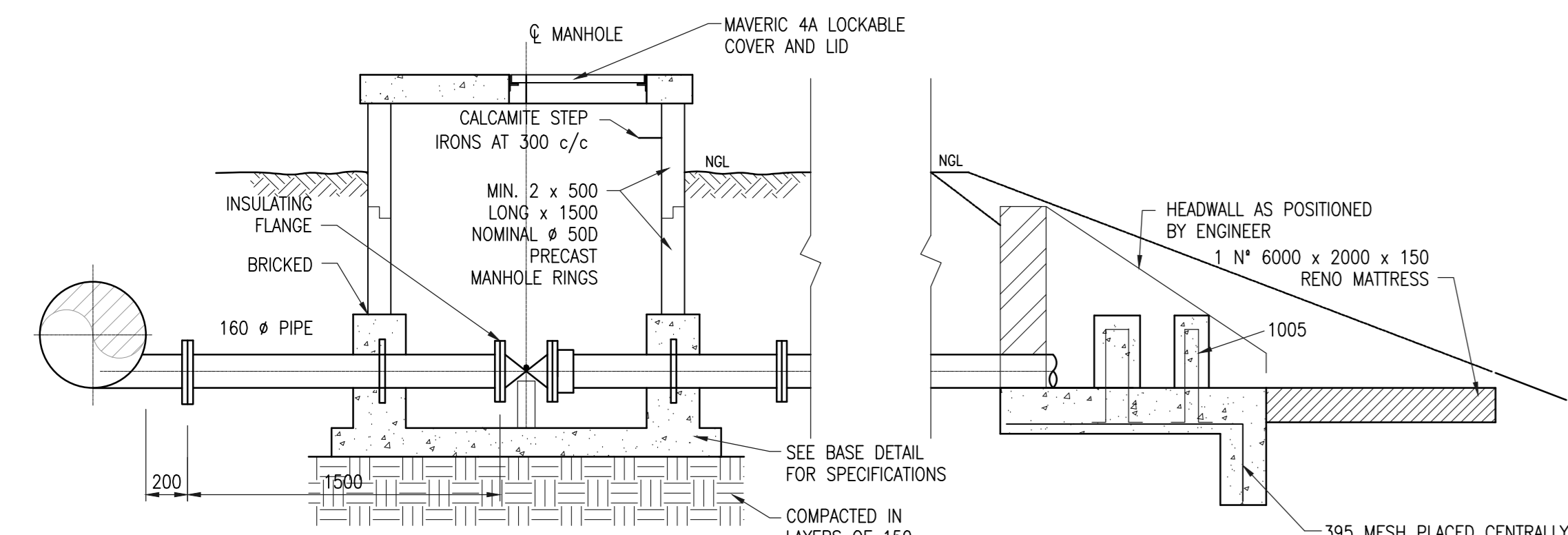
LEGEND

- WETLAND BOUNDARY ———
- PHASE 1A (WORK PACKAGE 1) - - - - -
- PHASE 1A (WORK PACKAGE 2) - - - - -
- PHASE 1B & 2 ———
- OPTIONAL PIPE ROUTE - - - - -
- MASTER PLAN PIPE LINKS - - - - -

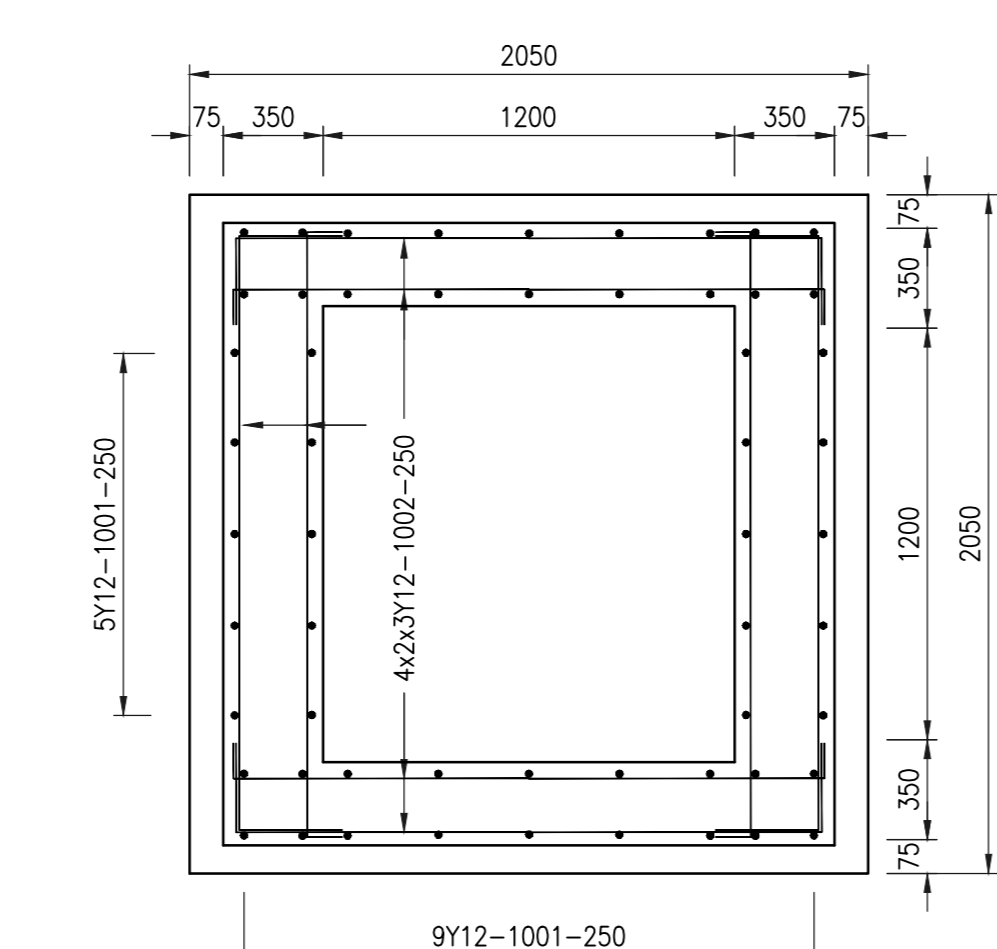


TYPICAL PIPE BEDDING DETAILS

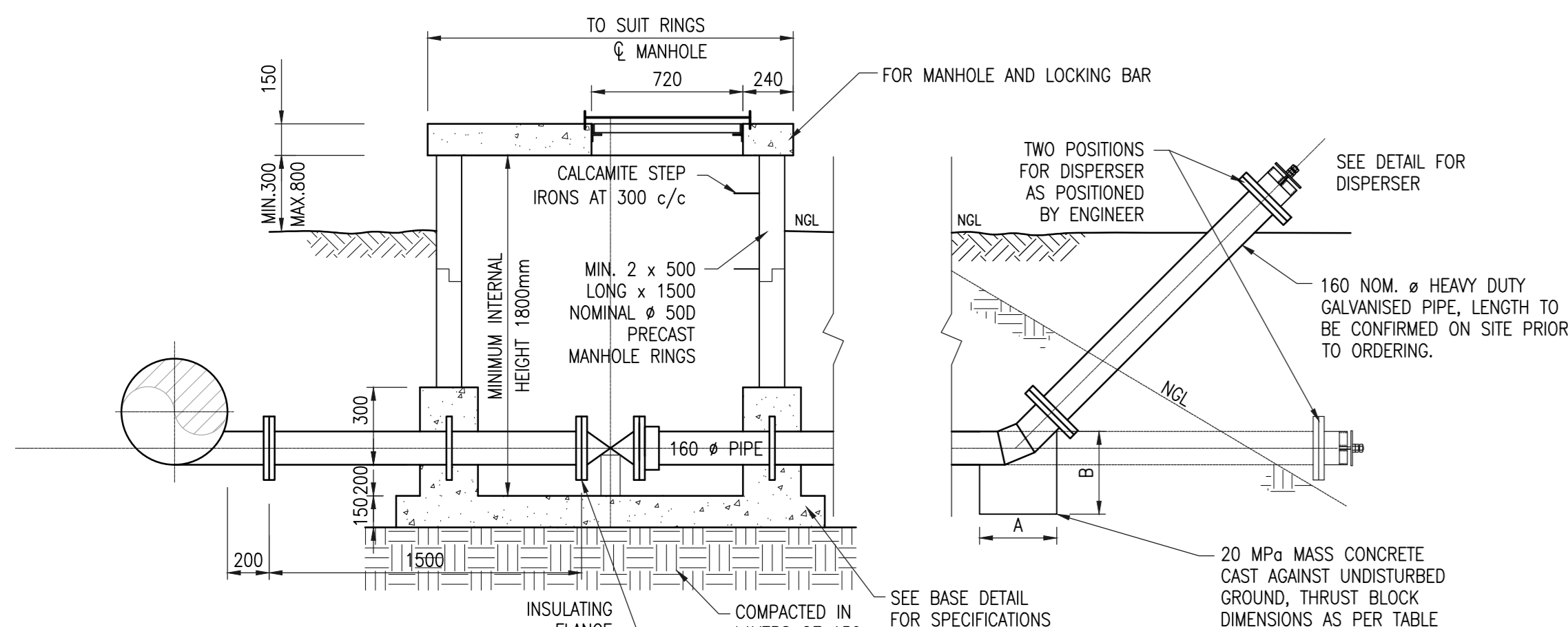
W = TRENCH PAY WIDTH
D = OUTSIDE DIAMETER OF PIPE



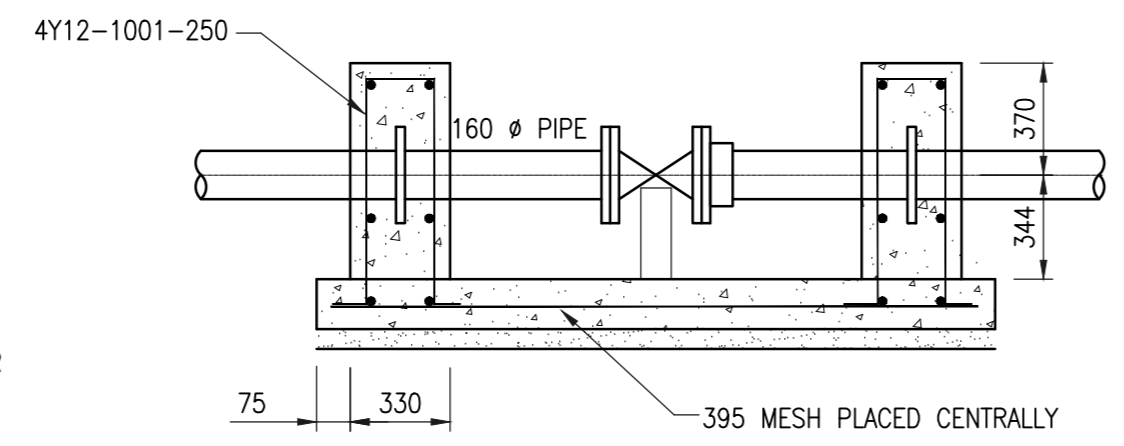
OPTION 1 - DETAIL OF SCOUR TO HEADWALL



PLAN OF REINFORCING TO CHAMBER BASE



OPTION 2 - DETAIL OF SCOUR TO DISPERSER

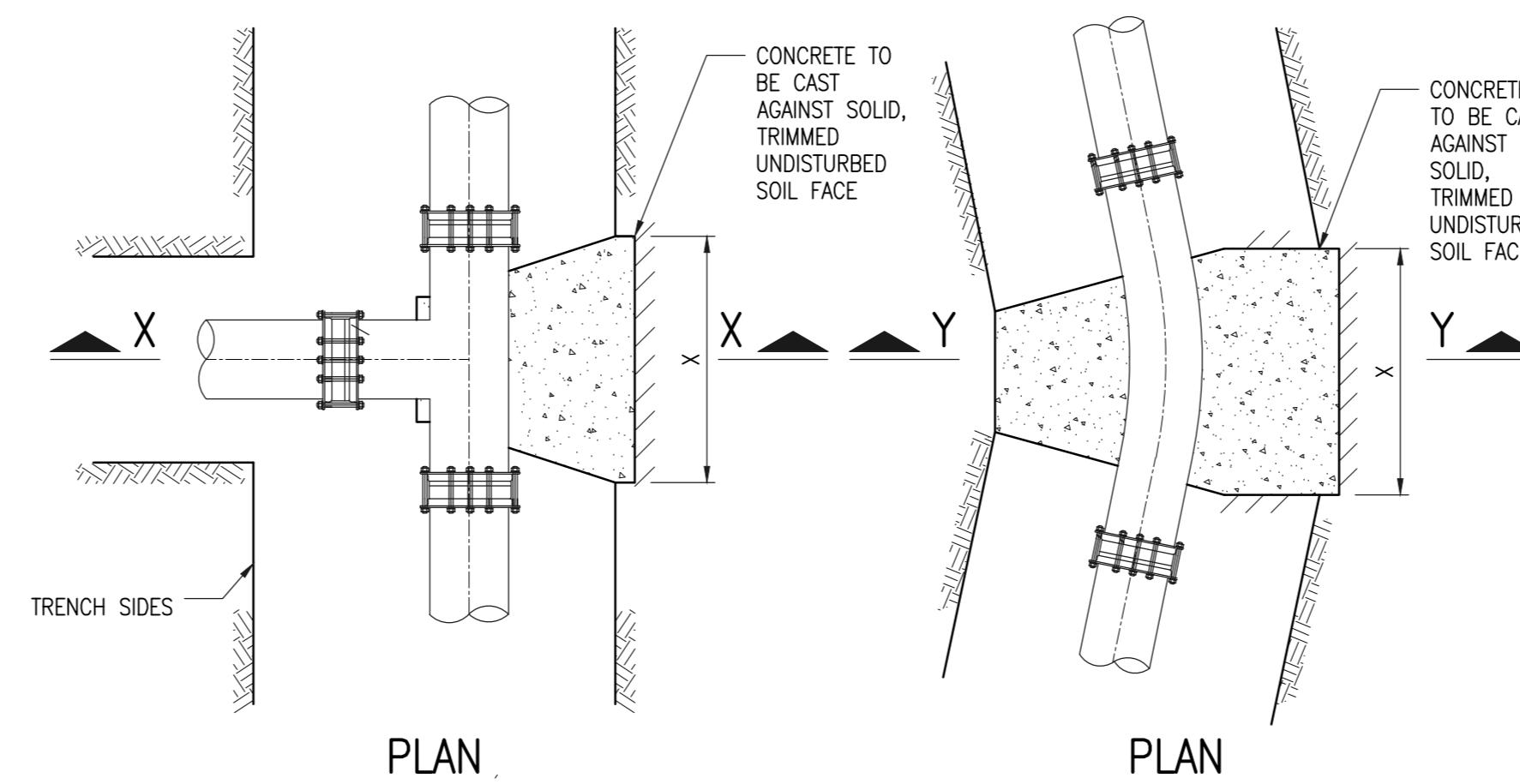


SECTIONAL DETAIL OF REINFORCING TO CHAMBER BASE

NOTE:

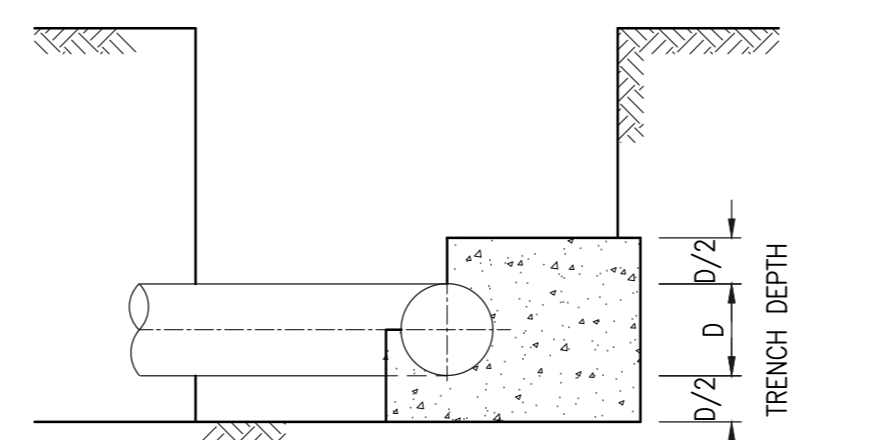
1. ALL DIMENSIONS IN MILLIMETERS

PRESSURE ZONE	THRUST BLOCK DIMENSIONS (mm)		
	A	B	C
1.6 BAR	600	600	600
2.5 BAR	750	750	750
4.0 BAR	900	900	900

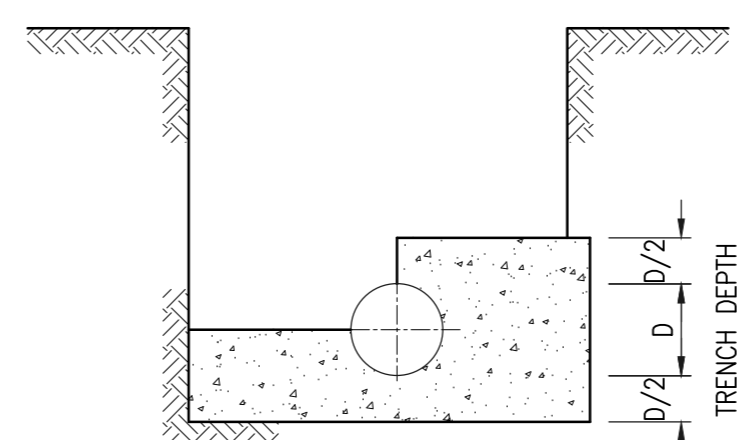


PLAN

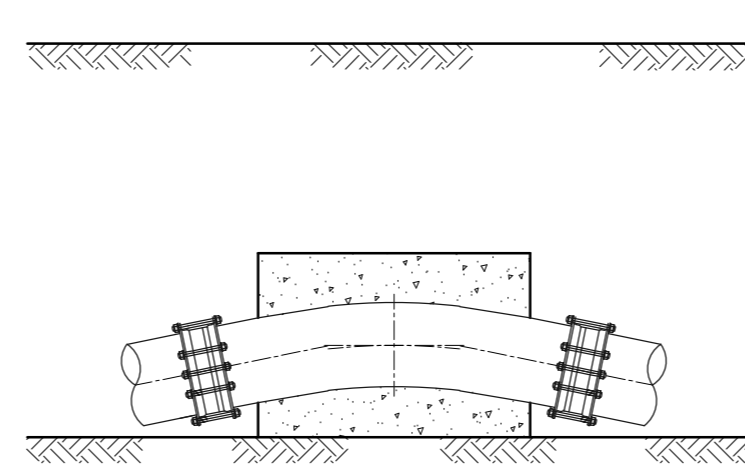
PLAN



SECTION X - X
TEE PIECE



SECTION Y - Y
HORIZONTAL BENDS



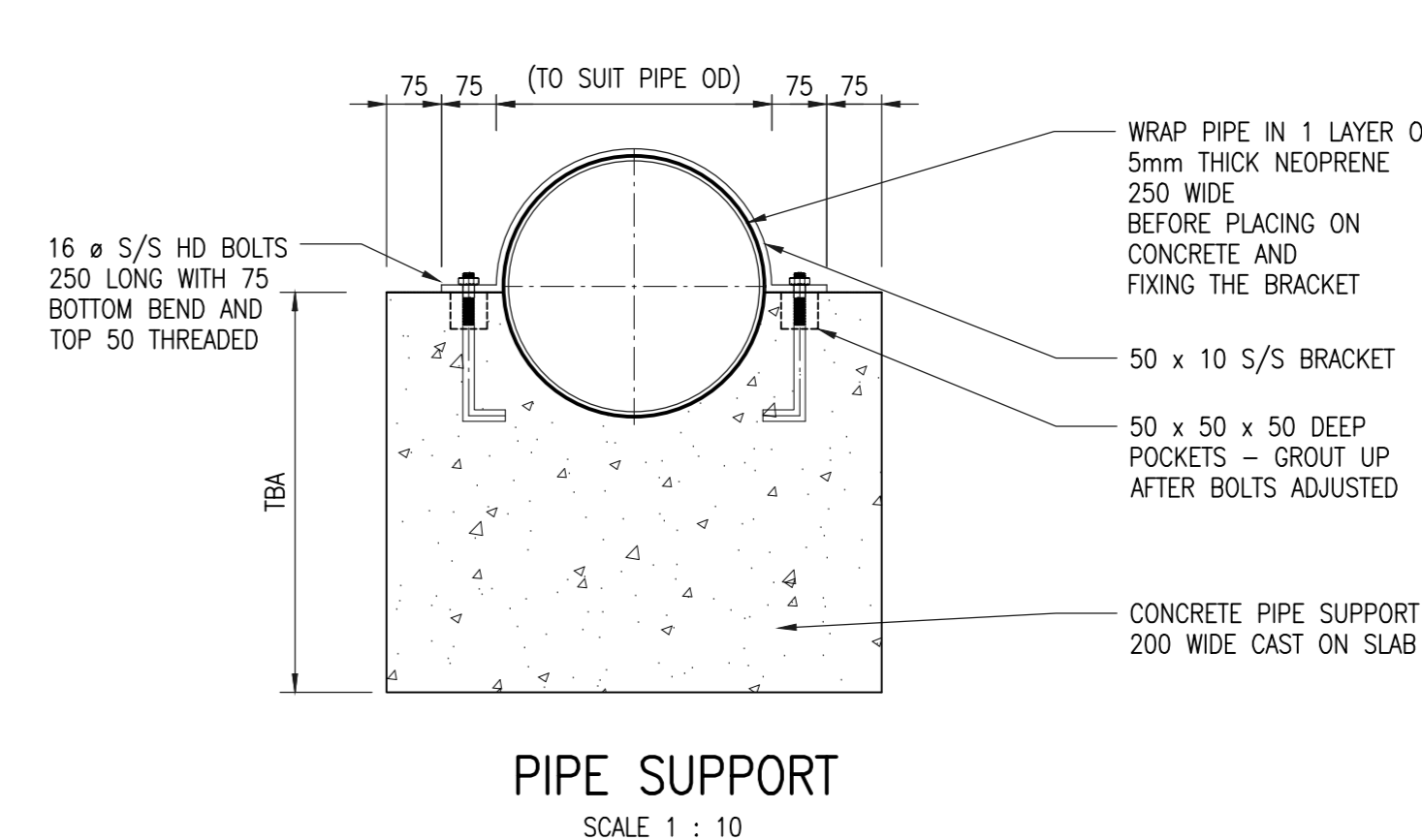
SECTION Z - Z
ANCHOR BLOCKS



VERTICAL BEND 15°
ANCHOR BLOCKS

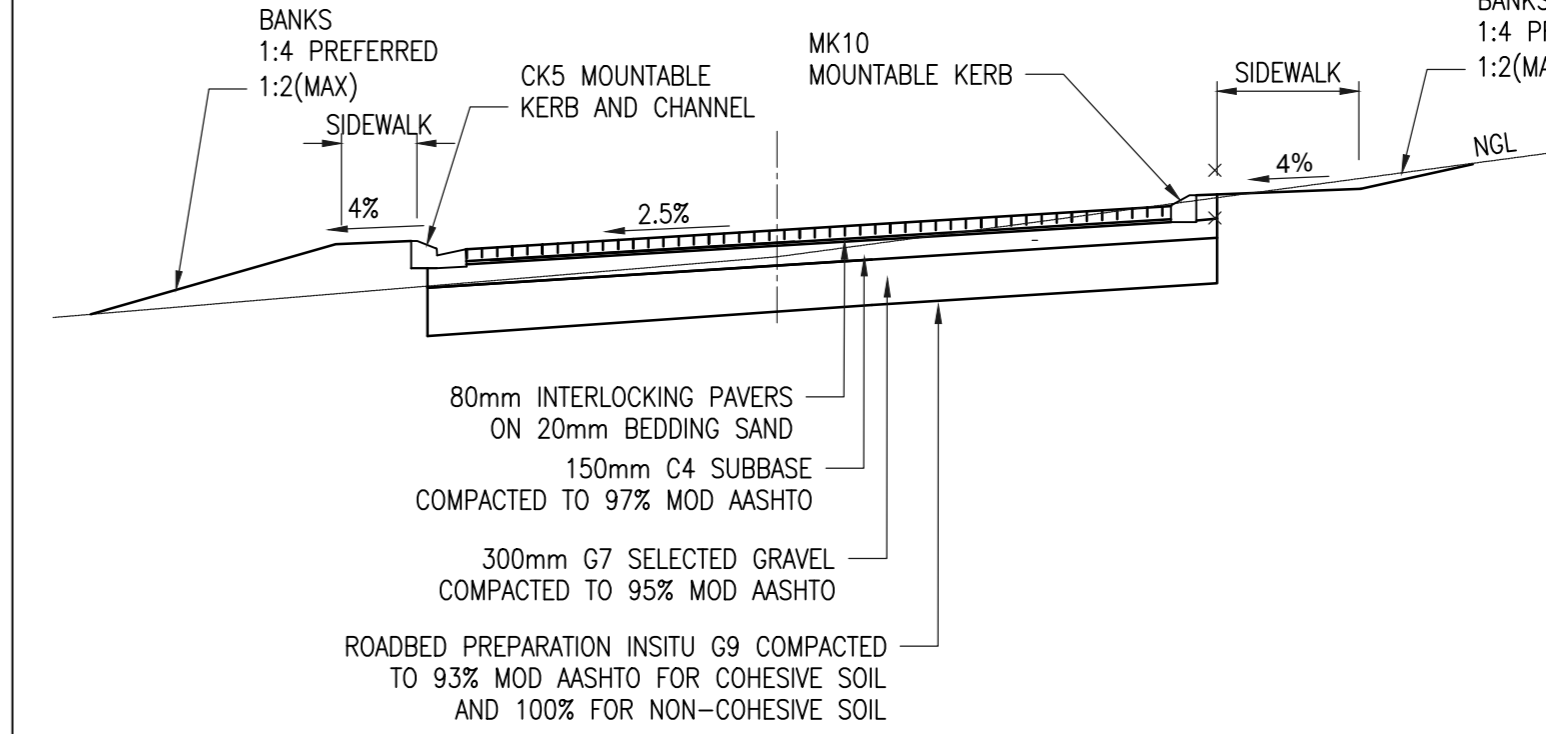
PIPE	D	X		
		90° BEND	45° BEND	TEE
DN600 INLET	600	1900	1000	1400
DN700 OUTLET	700	1500	900	1000
DN300	300	1075	1000	900
DN400	400	1350	1200	1150

- NOTES:
- CONCRETE GRADE 20/19
 - CONCRETE NOT TO INTERFERE WITH ANY JOINT OR REMOVAL OF BOLTS
 - SOIL BEARING CAPACITY ASSUMED AS 100kPa THIS IS TO BE CONFIRMED BY ENGINEER DURING EXCAVATION



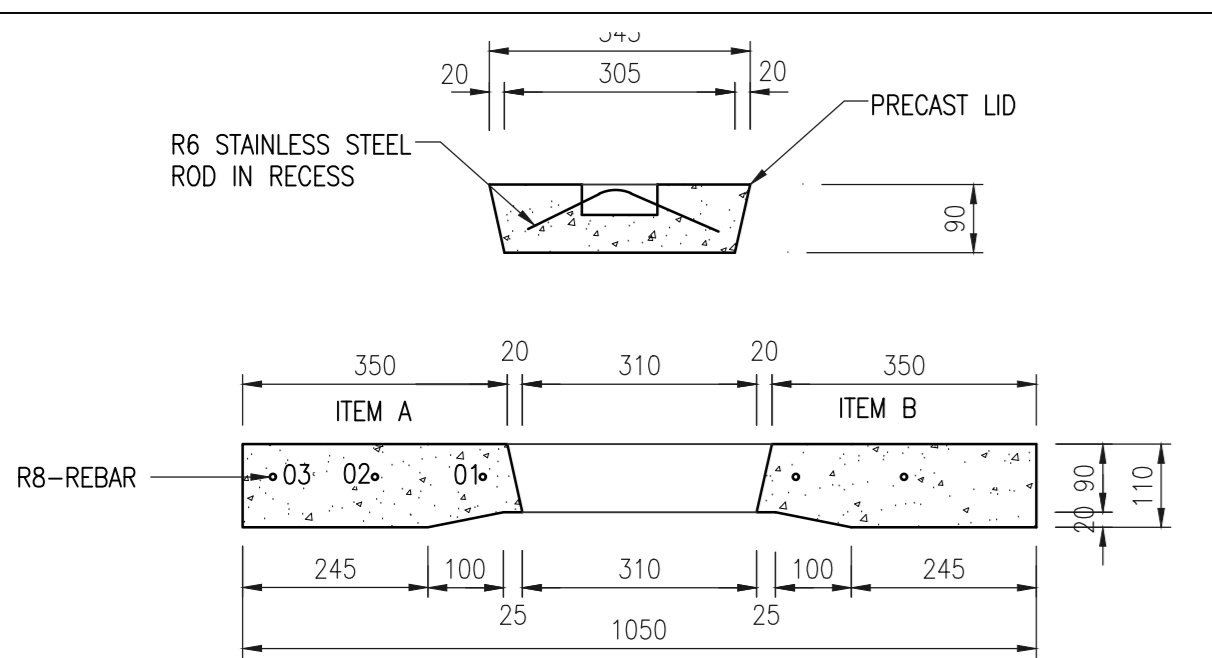
PIPE SUPPORT

SCALE 1 : 10

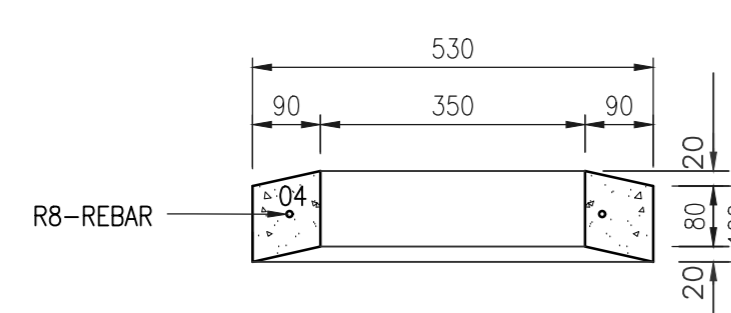


ROAD AND PARKING TYPICAL
CROSS SECTION

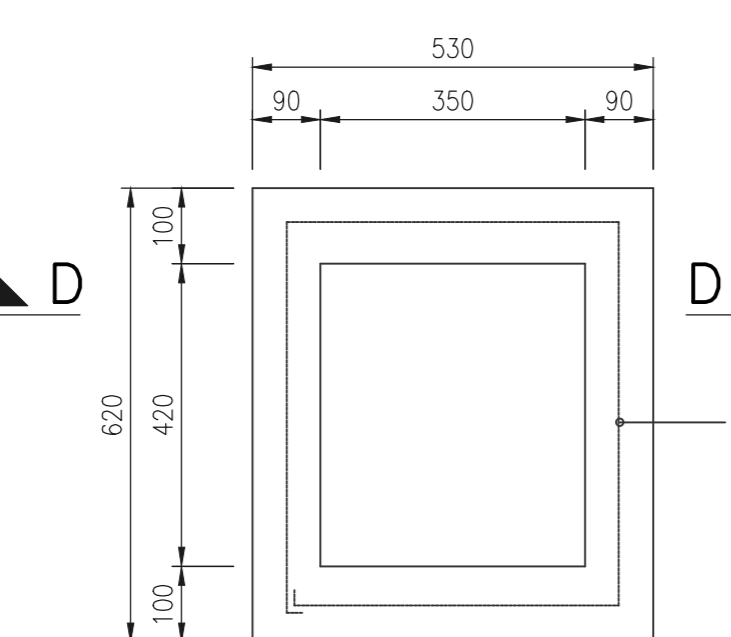
SCALE 1 : 50



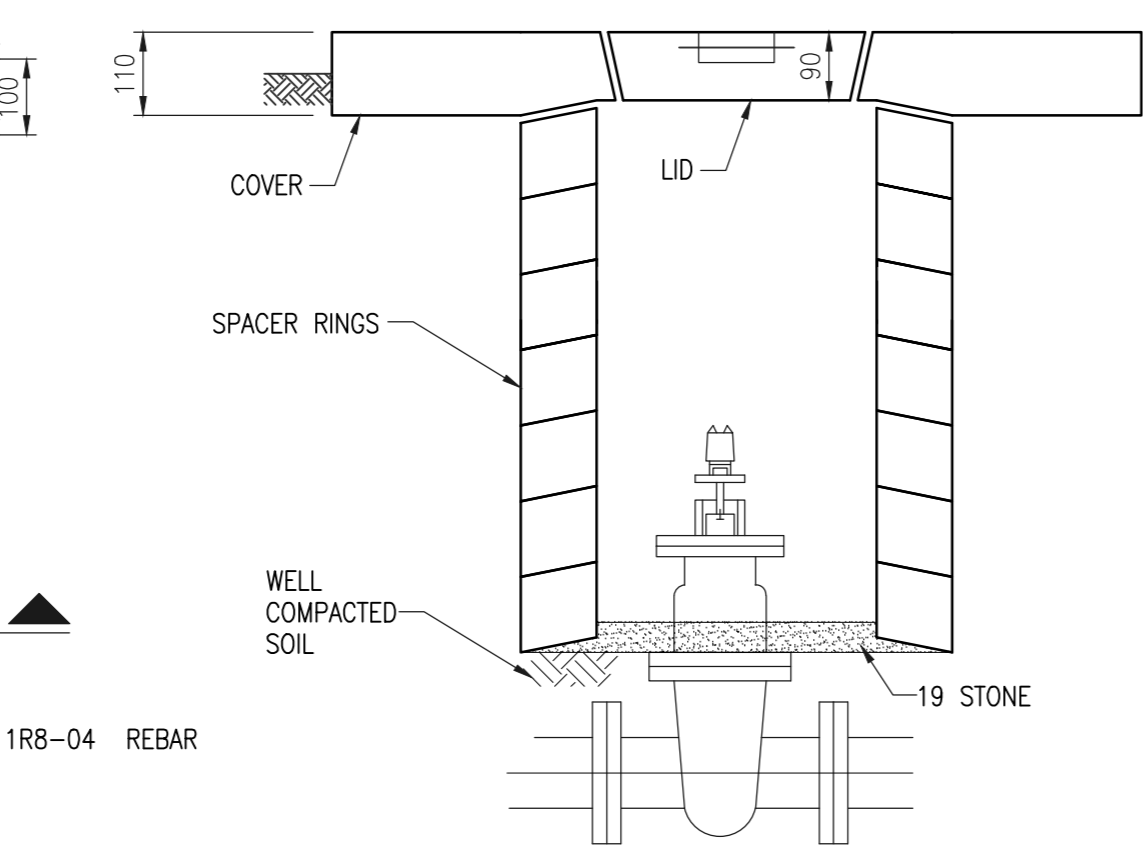
SECTIONS OF E-E



SECTIONS OF D-D



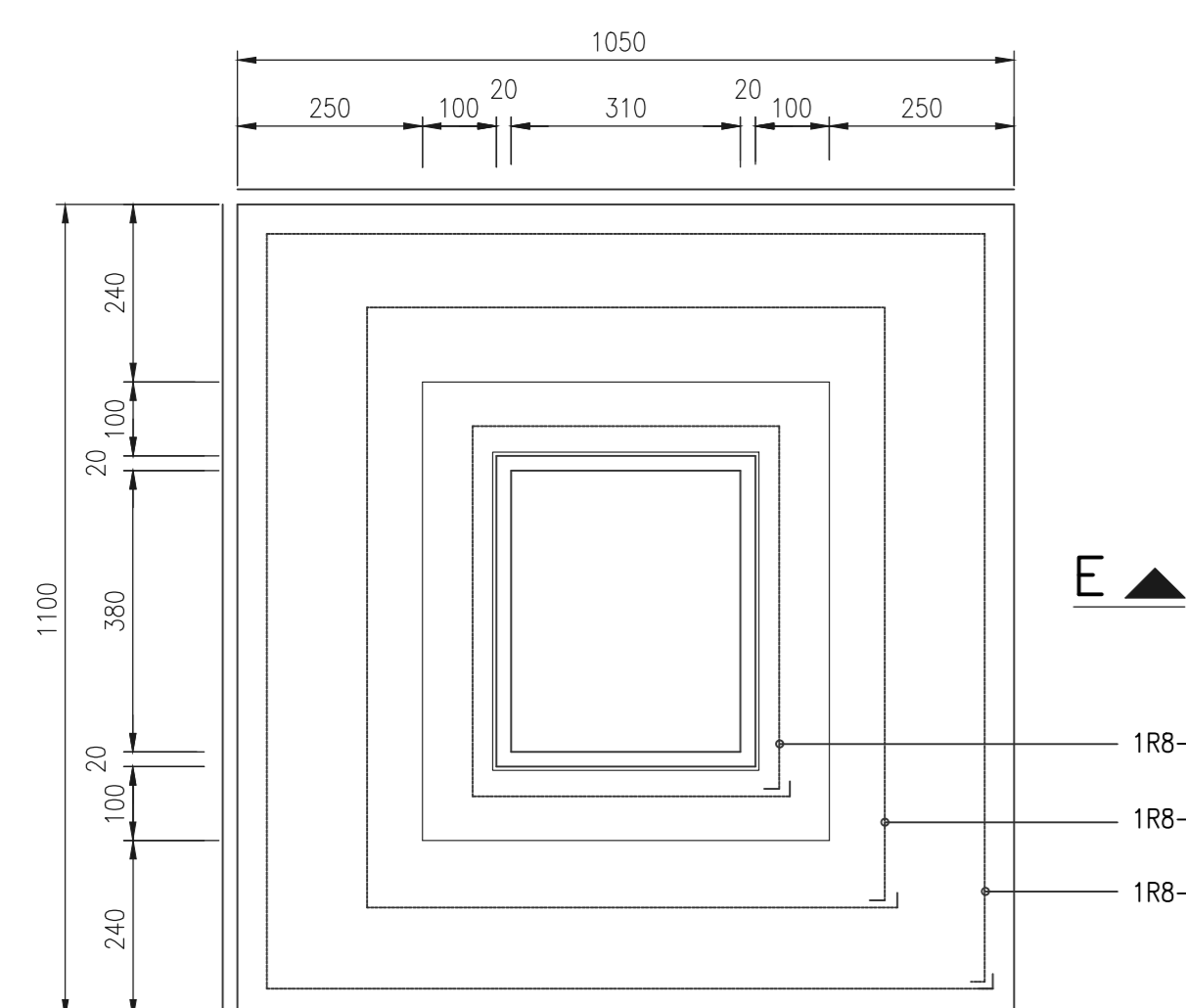
PLAN OF LID



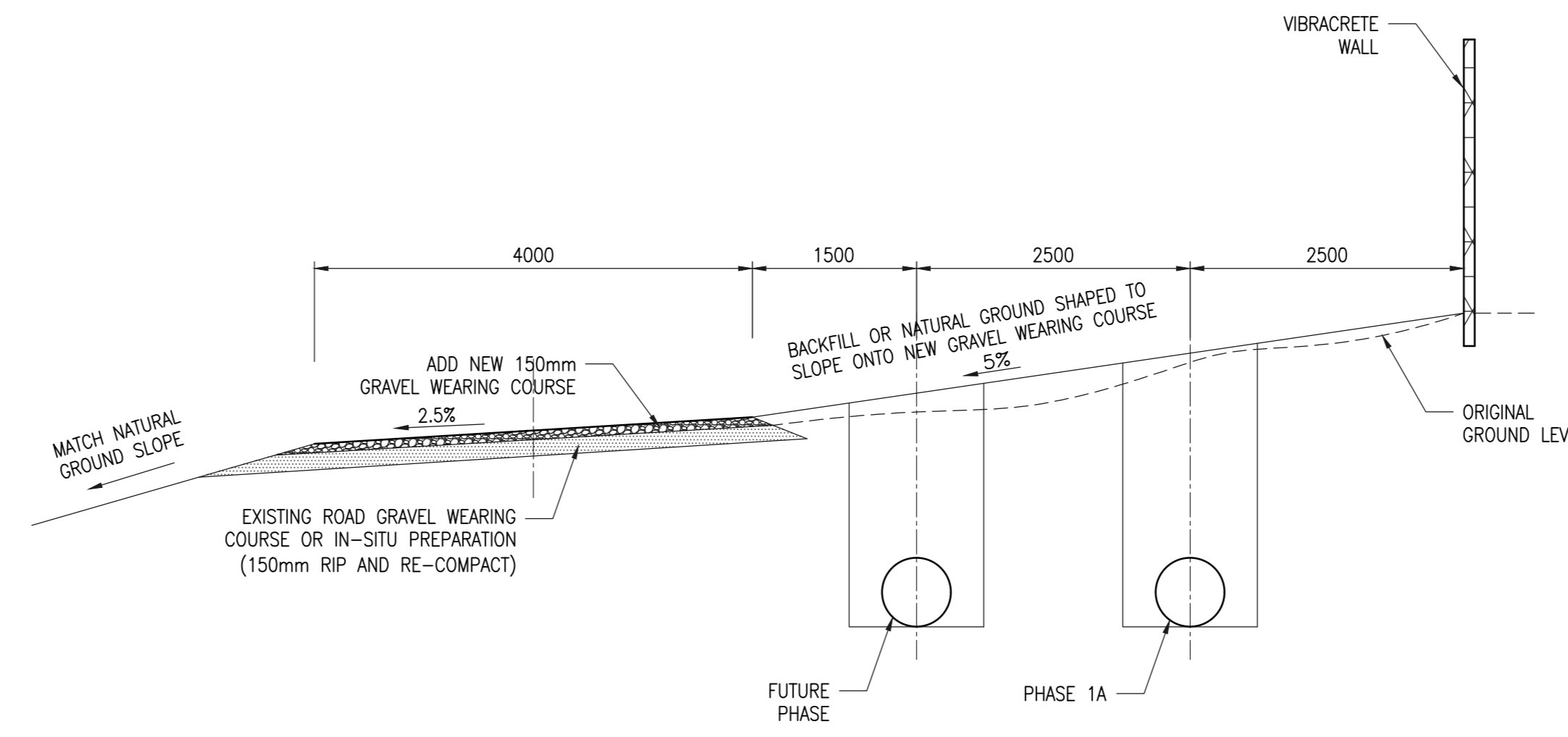
TYPICAL DETAIL OF MANHOLE USING
SPACER RINGS

SCHEDULE OF REINFORCING (PER ITEM)						
ITEM	BAR MARK	DIAMETER	SHAPE CODE	DIMENSIONS		TOTAL LENGTH
				A	B	
FRAME (1N)	01	RB	60	500	420	2040
	02	RB	60	800	700	3200
	03	RB	60	1010	970	4160
SPACER RING (1N)	04	RB	60	450	520	2140

- NOTES:
- ALL DIMENSIONS IN MILLIMETERS.
 - CONCRETE STRENGTH 25MPa/13. SMOOTH FINISH.
 - ALL SHARP EXPOSED CONCRETE EDGES TO BE CHAMFERED 20x20.



PLAN OF COVER



ACCESS ROAD
TYPICAL CROSS SECTION

SCALE 1 : 50

COPYRIGHT RESERVED

THE DUPLICATION OF THIS DRAWING IS STRICTLY PROHIBITED

REF. DRAWING NO.	REFERENCE DRAWING DESCRIPTION

CLIENT



GEORGE MUNICIPALITY



PO Box 434
GEORGE
6530

Tel: (0444) 802 0600
Fax: (0444) 802 0660
Web: www.rhdhv.co.za

PROJECT

PACALTS DORP WEST
14.5ML RESERVOIR

DRAWING DESCRIPTION

GENERAL DETAILS
BEDDING, ANCHOR BLOCKS, PIPE SUPPORT,
SCOUR VALVE INSTALLATION AND SPACER
RING MANHOLE

BUILDING DESCRIPTION

NEW 14.5 ML RESERVOIR

ISSUED FOR TENDER

DESIGNED	SIGNATURE AND DATE
S. MUJINGA	
DRAWN	SIGNATURE AND DATE
T. MLOTSHWA	
DRAWING CHECKED	SIGNATURE AND DATE
S. MUJINGA	
REVISION CHECKED	SIGNATURE AND DATE
K. TURNER	
APPROVED BY	SIGNATURE AND DATE
J. VAN EEDEN	

NO.	DATE	REVISION DESCRIPTION	DRAWN (CHECKED)	
			BY	BY
001	01/06/2023	ISSUED FOR TENDER		

PROJECT No. MD3229	CONTRACT No.
-----------------------	------------------

SHEET NUMBER	DISCIPLINE	PAPER SIZE	SCALE
SHEET 04 OF 04	CIVIL	A0	SCALE

DRAWING No. MD3229 - RHD - NR - XX - DR - CV - 4116	REV. P01
--------------------------------------------------------	-------------